



## MaxLite® Hazardous Location Lowbay

### General Safety Information

- To reduce the risk of death, personal injury or property damage from fire, electric shock, falling parts, cuts/abrasions, and other hazards read all warnings and instructions included with and on the fixture box and all fixture labels.
- Before installing, servicing, or performing routine maintenance upon this equipment, follow these general precautions.
- Commercial installation, service and maintenance of luminaires should be performed by a qualified licensed electrician.
- **DO NOT INSTALL DAMAGED PRODUCT!**
- This fixture is intended to be connected to a properly installed and grounded UL listed junction box.
- Make sure that the supply voltage is the same as the luminaire voltage.
- Do not install where the marked operating temperatures exceed the ignition temperatures of the hazardous atmosphere.
- Do not operate in ambient temperatures above those indicated on the luminaire nameplate.
- All gasket seals must be clean and undamaged.



Picture is for illustration purposes only.  
Your model may vary.

### WARNING:

#### RISK OF ELECTRICALSHOCK

- Turn off electrical power at fuse or circuit breaker box before wiring fixture to the power supply.
- Turn off the power when you perform any maintenance.
- Verify that supply voltage is correct by comparing it with the luminaire label information.
- Make all electrical and grounded connections in accordance with the National Electrical Code and any applicable local code requirements.
- All wiring connections should be capped with UL approved wire connectors.
- Luminaire must be supplied by a wiring system with an equipment grounding conductor.

### CAUTION:

#### RISK OF INJURY

- Wear gloves and safety glasses at all times when removing luminaire from carton, installing, servicing or performing maintenance.
- Avoid direct eye exposure to the light source while it is on.
- Account for small parts and destroy packing material, as these may be hazardous to children.

### CAUTION:

#### RISK OF FIRE

- Keep combustible and other materials that can burn away from luminaire and lamp/lens.
- MIN 90°C SUPPLY CONDUCTORS.

Models:

**HL-LB@@UW50G**

**HL-LB = Hazardous Location Lowbay**

**@@ = Any alphanumeric for wattage (23 = 23W)**

**U = 120-277V**

**W = Wide 180° distribution**

**50 = 5000K**

**G = Gray**

### Operating characteristic:

Rated Voltage: 100-240/277 Vac or 200-480 Vac, 50/60Hz

Ambient Temperature Range: -40°C (-40°F) ~ +65°C (149°F)

**This fixture is suitable for use in the following hazardous (classified) areas as defined by the National Electrical Code (NEC) and Canadian Electrical Code (CEC):**

Hazardous Locations

Class I, Division 2, Groups A, B, C, D

Class II, Division 1, Groups E, F, G

Class II, Division 2, Groups F, G

Class III

#### Compliances

UL 844

UL1598

UL1598A

#### Environmental Ratings

Suitable for wet location

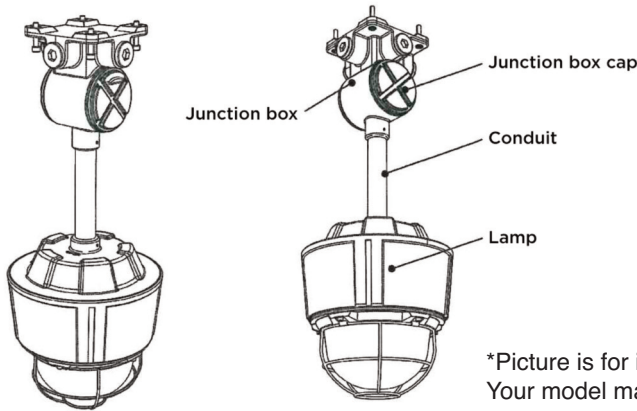
IP 66 Rating

Refer to the luminaire nameplate for specific classification information, maximum ambient temperature suitability and corresponding operating temperature (T-Code).



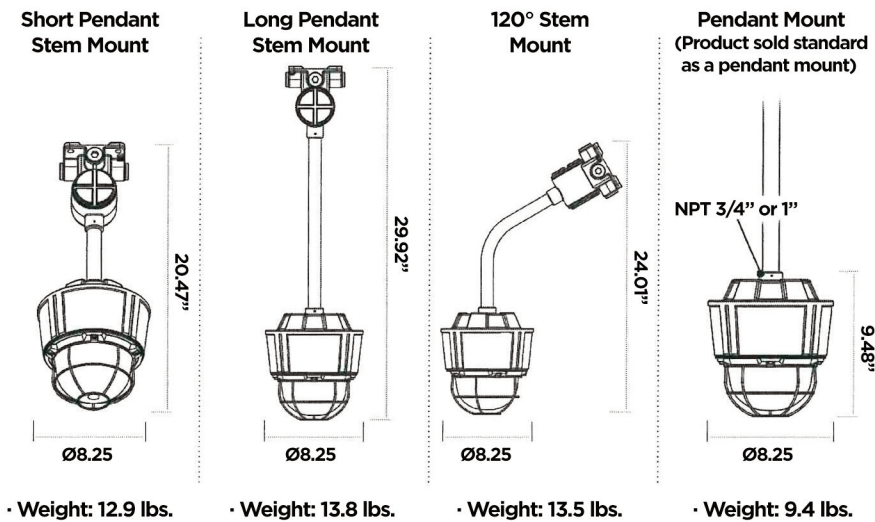
# MaxLite® Hazardous Location Lowbay

## Name of Parts

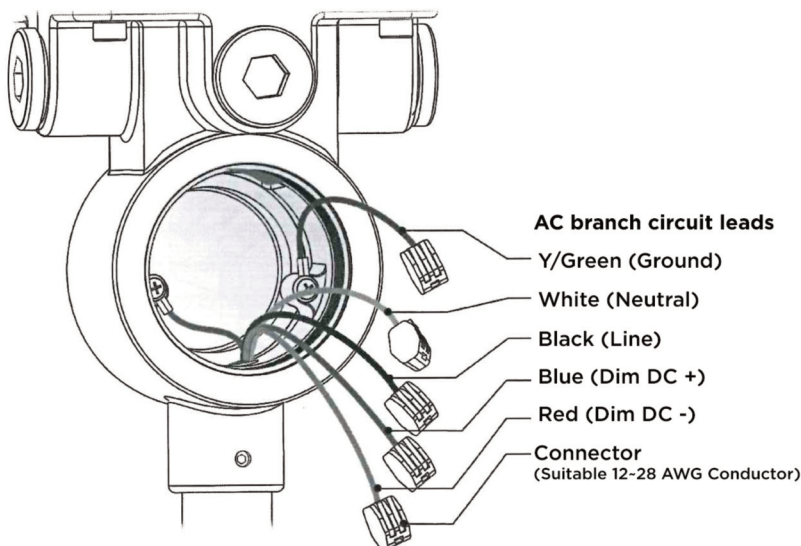


\*Picture is for illustration purposes only. Your model may vary.

## Mounting Type (All mounting options sold separately)



## Wiring Diagram



**CAUTION:** Turn off electrical power at fuse or circuit breaker box before wiring fixture to the power supply.

\* Connect to 0-10V DC dimming input by Class 1 wiring method.

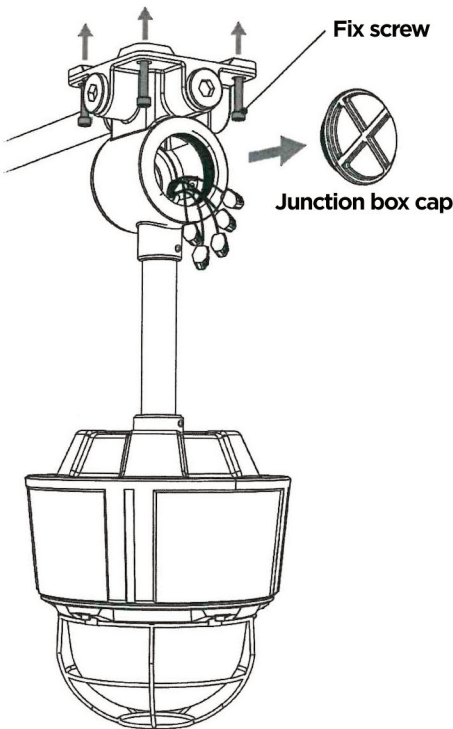


## MaxLite® Hazardous Location Lowbay

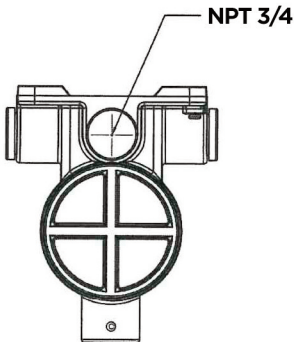
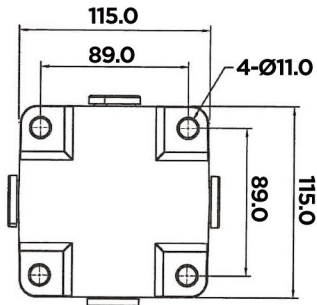
### Installation & Operation

#### Ceiling / Wall Mount:

1. Fasten junction box tightly with four screws.
2. For wiring, rotate the junction box cap counterclockwise & unfasten.
3. Connect AC branch circuit conductors to AC power line and Ground wire inside luminaire junction box. (Follow wiring diagram on page 2.)
4. Connect to 0-10V DC dimming input by Class 1 wiring method.
5. After wiring, close junction box cap with clockwise rotation.



Junction box dimensions (mm)





## MaxLite® Hazardous Location Lowbay

### Installation & Operation

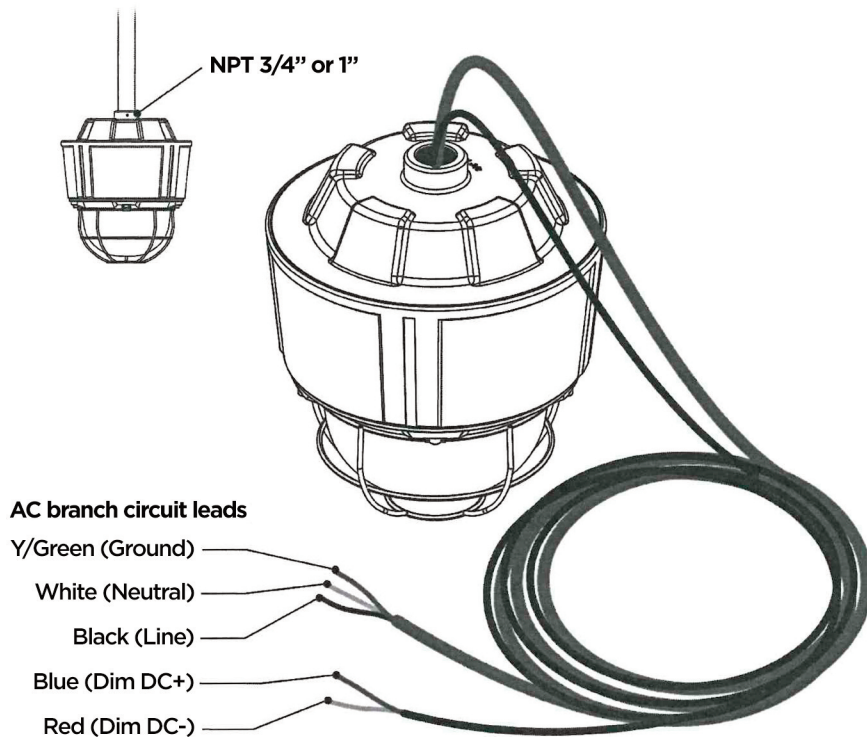
#### Pendant Mount:

1. For Pendant Mount type, use NPT 3/4" or 1" conduit.
2. Remove insulation jacket to connect branch circuit wires and dimming wires.
3. Insert the wires into the junction box. (Not provided)
4. Wire the luminaire and close the junction box cover. (Not provided)
5. Connect supply wires and 0-10V DC dimming input wires to luminaire wires inside a junction box using approved wire connectors.

\* Install the junction box on the appropriate surface according to it's manufacturer's specifications and in compliance with local and national electrical codes.

\* For wet locations, wrap threads on pendant stems with teflon tape and silicone gel. Screw the pendant stem to the wiring box. Tighten set screw.

\* Connect to 0-10V DC dimming input by Class 1 wiring method.



\* Please be careful when installing luminaire not to damage or pinch any wires.



## MaxLite® Hazardous Location Lowbay

### Warranty Information

MaxLite Inc. warrants its products for a minimum period of **TEN (10)** years from the date of original purchase from MaxLite or its authorized distributor/dealer (the "Warranty Period"), as follows: If a Product fails to operate during the Warranty Period as a result of defects in materials or workmanship, MaxLite will, at its option, repair it, replace it with the same or like Product.

Please refer to Maxlite's website (at <http://maxlite.com/resources/warranties>) for the complete terms and conditions of our warranty.

#### Limitation of Liability

THE FOREGOING WARRANTY IS EXCLUSIVE, AND IS THE SOLE REMEDY FOR ANY AND ALL CLAIMS, WHETHER IN CONTRACT, IN TORT OR OTHERWISE ARISING FROM THE FAILURE OF PRODUCT AND IS IN LIEU OF ALL OTHER WARRANTIES, EXPRESS OR IMPLIED, INCLUDING ALL WARRANTIES OF MERCHANTABILITY OR FITNESS FOR A PARTICULAR PURPOSE, WHICH WARRANTIES ARE HEREBY EXPRESSLY DISCLAIMED TO THE EXTENT PERMITTED BY LAW AND, IN ANY EVENT, SHALL BE LIMITED TO THE WARRANTY PERIOD SPECIFIED ABOVE. THE LIABILITY OF MAXLITE SHALL BE LIMITED TO THE TERMS OF THE EXPRESS WARRANTY SET FORTH HEREIN. IN NO EVENT WILL MAXLITE BE LIABLE FOR ANY SPECIAL, INCIDENTAL OR CONSEQUENTIAL DAMAGES INCLUDING, WITHOUT LIMITATION, DAMAGES RESULTING FROM LOSS OF USE, PROFITS, BUSINESS OR GOODWILL, LABOR COSTS, REMOVAL OR INSTALLATION COSTS, DECREASE IN THE LIGHT OUTPUT OF THE LAMP, AND/OR DETERIORATION IN THE LAMP'S PERFORMANCE, WHETHER OR NOT MAXLITE HAS BEEN ADVISED OF THE POSSIBILITY THEREOF. UNDER NO CIRCUMSTANCES SHALL MAXLITE'S ENTIRE LIABILITY FOR A DEFECTIVE PRODUCT EXCEED THE PURCHASE PRICE OF THAT PRODUCT. WARRANTY SERVICES PROVIDED UNDER THESE TERMS AND CONDITIONS DO NOT ENSURE THE UNINTERRUPTED OPERATION OF PRODUCTS; MAXLITE SHALL NOT BE LIABLE FOR DAMAGES CAUSED BY ANY DELAYS INVOLVING WARRANTY SERVICE.

This Limited Warranty gives you specific legal rights and you may also have other rights that may vary from state to state. Because some states or jurisdictions do not allow the exclusion or limitation of liability for consequential or incidental damages, this limitation may not apply to you.